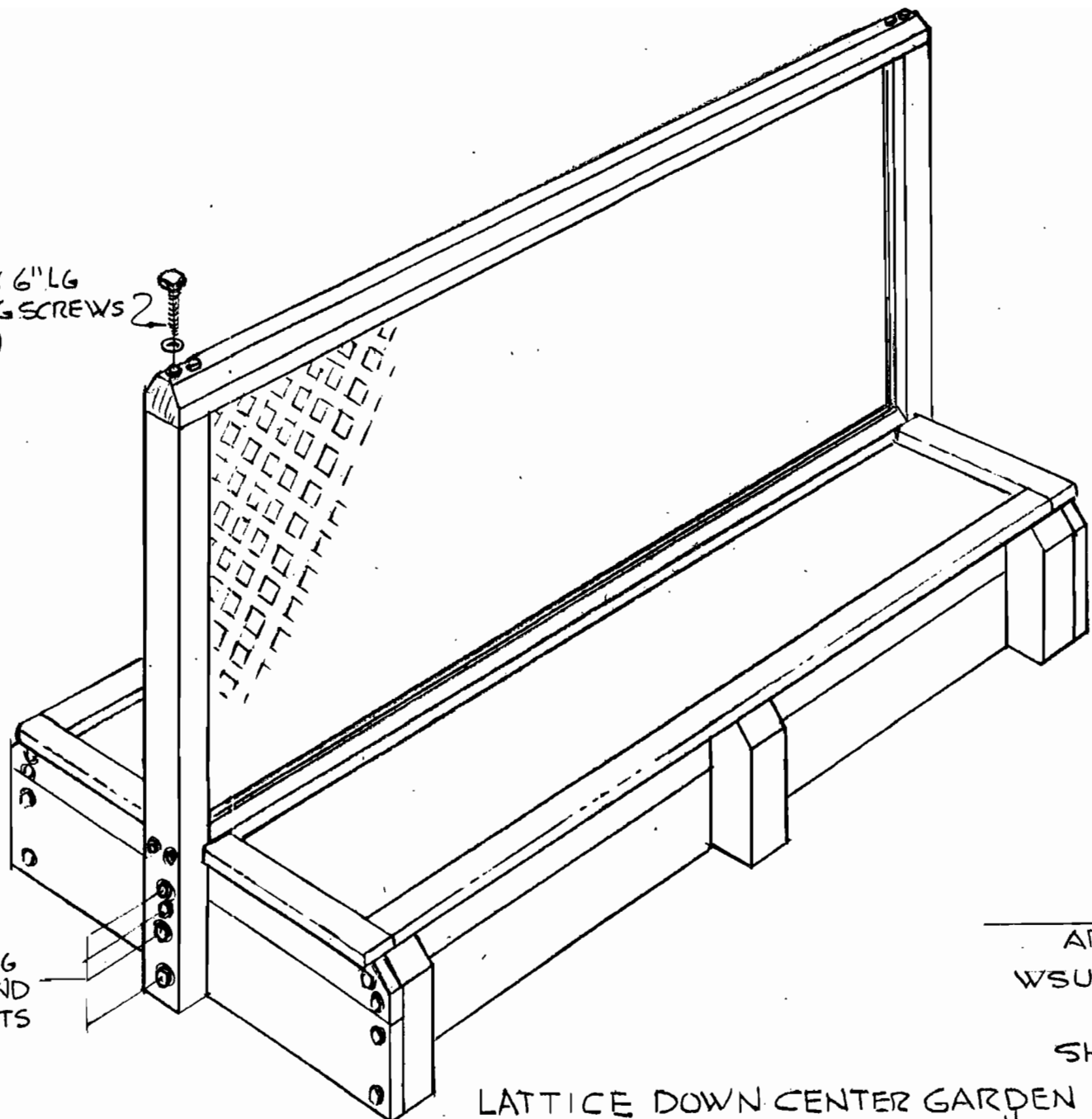


3/8" DIA X 6" LG
GALV LAG SCREWS
(8)



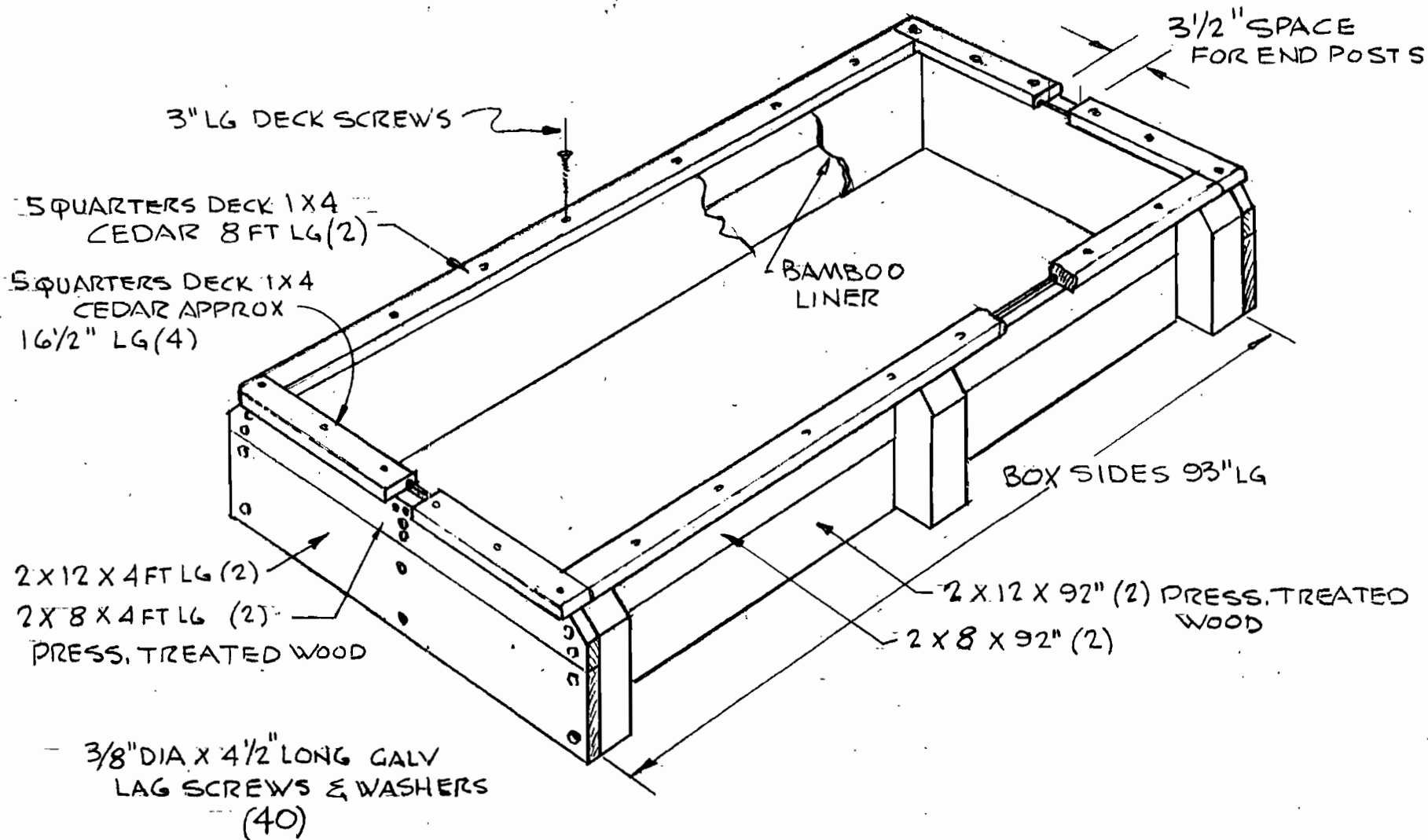
1/2" DIA X 5 1/2" LG
GALV. BOLTS AND
WASHERS/NUTS
(8)

APPROVAL
WSU/SKAGIT COUNTY

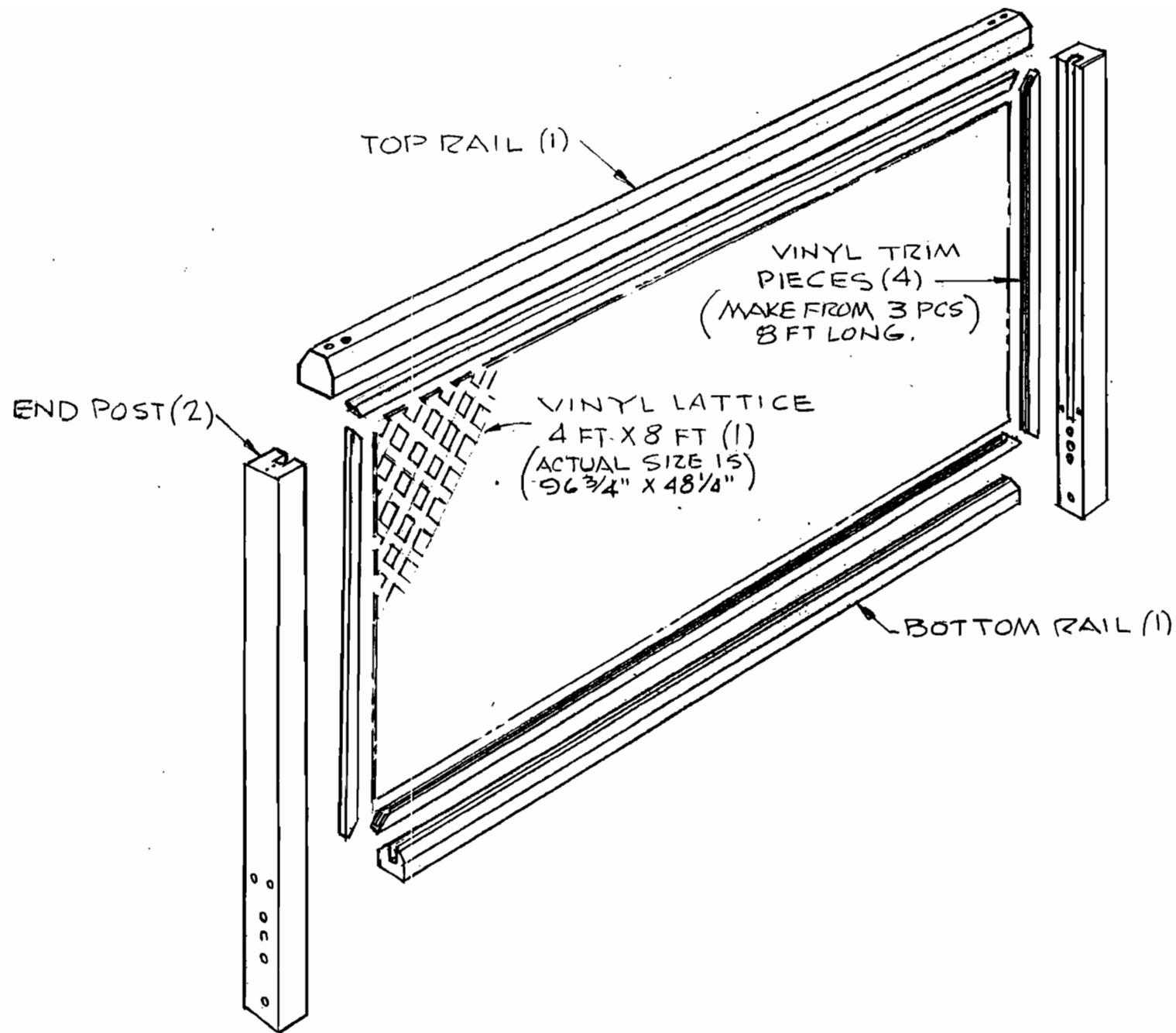
SHT 1 OF 4 SHTS

LATTICE DOWN CENTER GARDEN
ENABLING GARDEN PROJECT # 3

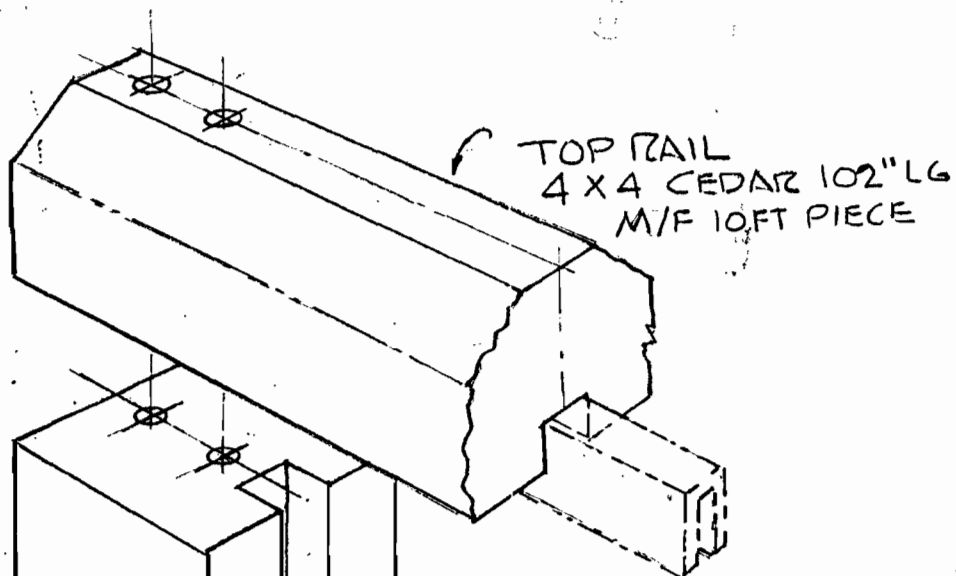
PREP. BY BOB EMERSON



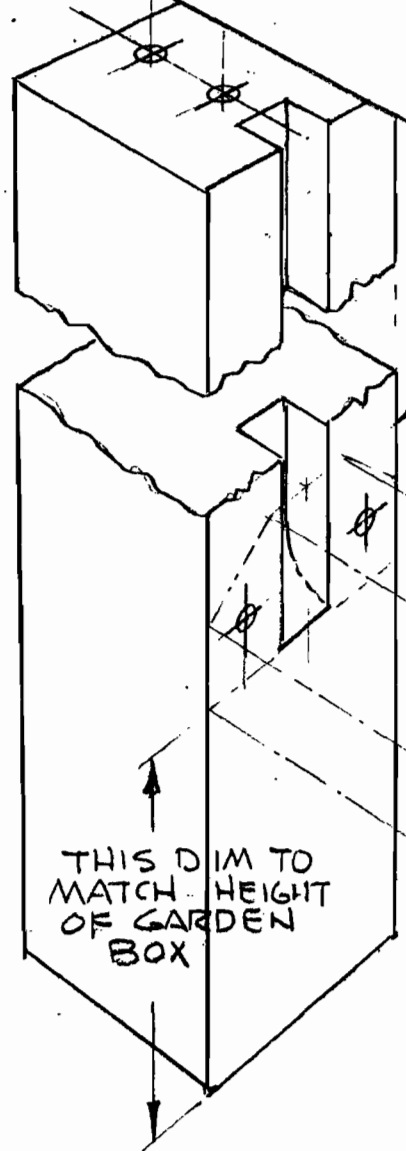
LATTICE DOWN CENTER GARDEN
BOX STRUCTURE



LATTICE DOWN CENTER GARDEN
LATTICE STRUCTURE

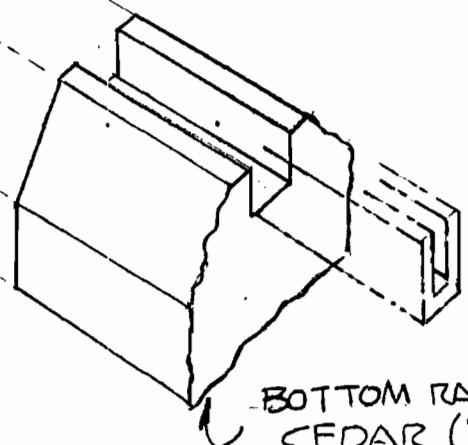


TOP RAIL
4 X 4 CEDAR 102" LG
M/F 10FT PIECE



END POSTS
4 X 4 CEDAR (2)
M/F 8FT PIECE

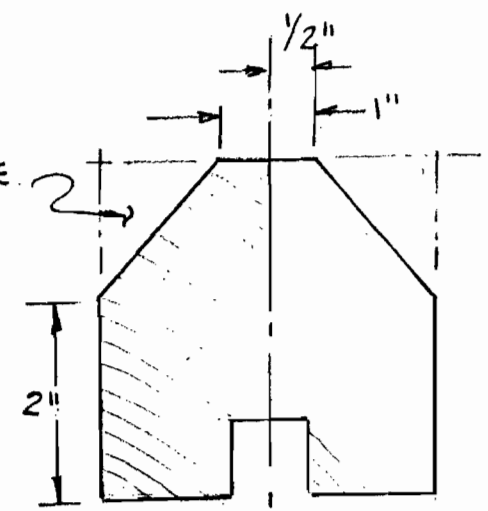
THIS DIM TO
MATCH HEIGHT
OF GARDEN
BOX



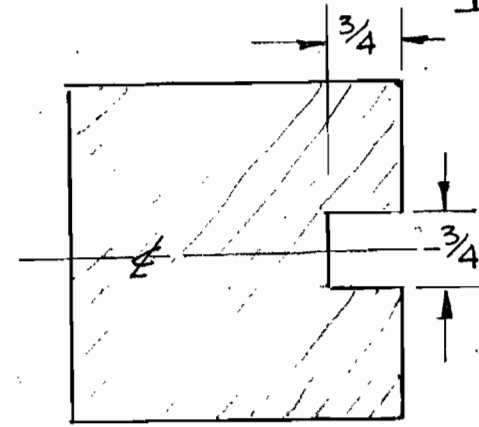
BOTTOM RAIL 95" LG.
CEDAR (1) M/F 8FT PIECE

LATTICE DOWN CENTER GARDEN
LATTICE STRUCTURE DETAILS.

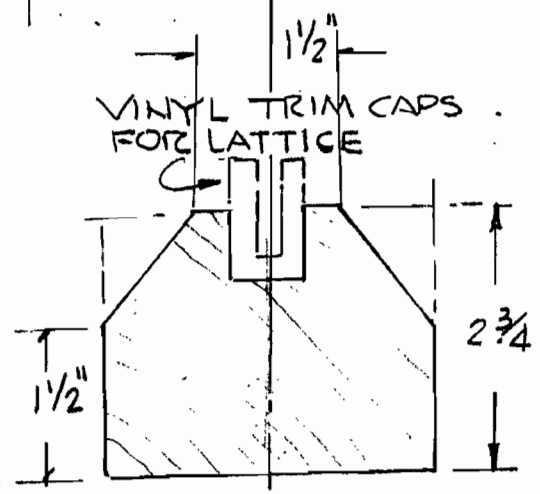
REMOVE



CROSS SECTION
TOP RAIL



CROSS SECTION
END POSTS.



VINYL TRIM CAPS
FOR LATTICE

CROSS SECTION
BOTTOM RAIL

SHT 4 OF 4 SHTS
PREP BY BOB EMERSON